

Specifications

Type	85cc	85cc	105cc	105cc	
Part number	14571340	14571341	14571350	14571351	
Displacement per revolution	85,1	85,1	104,7	104,7	cc
Port configuration	2 side	2 rear	2 side	2 rear	
Shaft DIN 5462	8*32*36	8*32*36	8*32*36	8*32*36	mm
Inlet - straight internal thread	1 ¼"	1 ¼"	1 ¼"	1 ¼"	BSP
Outlet - straight internal thread	1 ¼"	1 ¼"	1 ¼"	1 ¼"	BSP
Minimum suction hose diameter	1 ¾"	1 ¾"	1 ¾"	1 ¾"	inch
Torque at 250bar	385	385	473	473	Nm
p2 : Max. pressure for tipping application	250	250	250	250	bar
p3 : Max. continuous pressure	230	230	230	230	bar
p1 : Max. peak pressure	255	255	255	255	bar
L : Length pump	184	187	196	199	mm
L2 : Length before ports	81	178	81	190	mm
W : Width pump	134	136	134	136	mm
W2 : Smaller width before ports	120	120	120	120	mm
H : Height pump	148,5	148,5	148,5	148,5	mm
A : Position side port	114		118		mm
B : Position rear port		34		34	mm
Mass	14	14	15	15	kg
Centre of gravity distance (COG)	87	89	93	95	mm
Flow at 2000 rpm	157	157	193	193	l/min
Max. speed at intermittent pressure	2500	2500	2250	2250	rpm
Min. speed at intermittent pressure	300	300	300	300	rpm
Oil temperature range min / max	-40 / 80	-40 / 80	-40 / 80	-40 / 80	°C
Inlet pressure range (suction side) min / max	0,7 / 3	0,7 / 3	0,7 / 3	0,7 / 3	bar
Recommended oil viscosity range min / max	12 / 100	12 / 100	12 / 100	12 / 100	mm ² /s
Max. starting viscosity	750	750	750	750	mm ² /s
Min. filtration	25	25	25	25	µm
Noise level at 1000 rpm and 100 bar	65	65	66	66	dB
Leak indicator included with the pump	Yes	Yes	Yes	Yes	

Technical notes

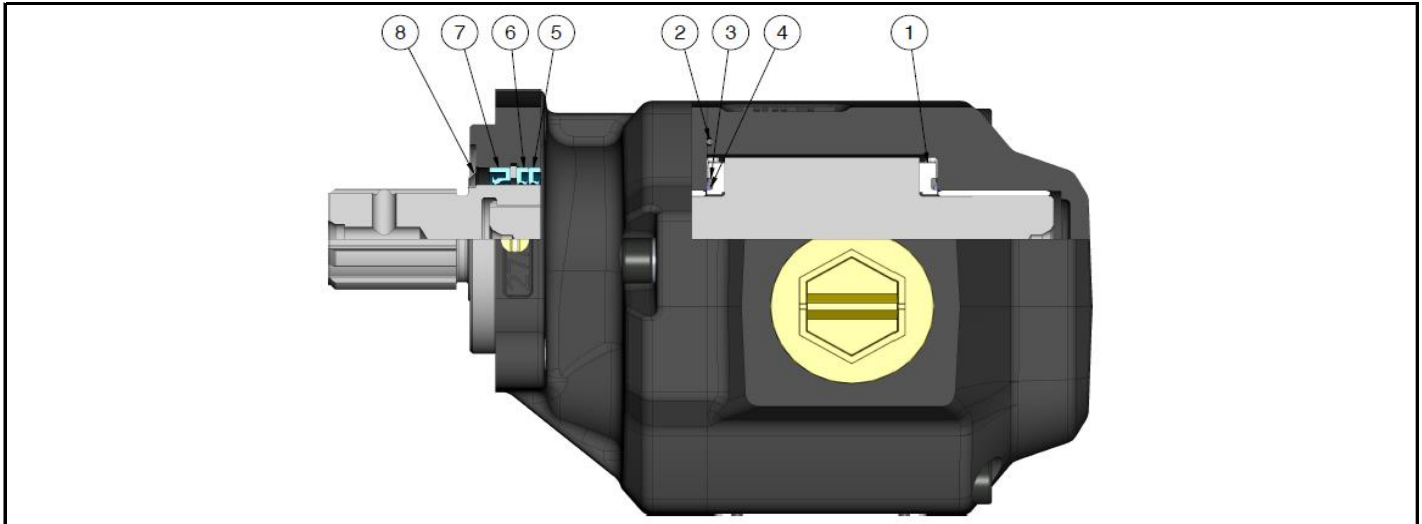
- Recommended oil is mineral based; for other fluids contact our engineering department
- Mentioned filtration is for tipper applications only
- To avoid cavitation, suction hose must be kept as short and straight as possible and oil viscosity should be respected at all operating temperatures
- Painted black (RAL9005)
- Leak indicator kit included and to be fitted with hose opening facing side or down

Related documentation

Mounting instructions : PUM-0016

Repair instructions : PUM-0015

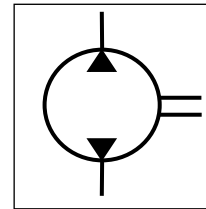
Oil specifications : OIL-0011



Spare parts

Hydraulic symbol pump

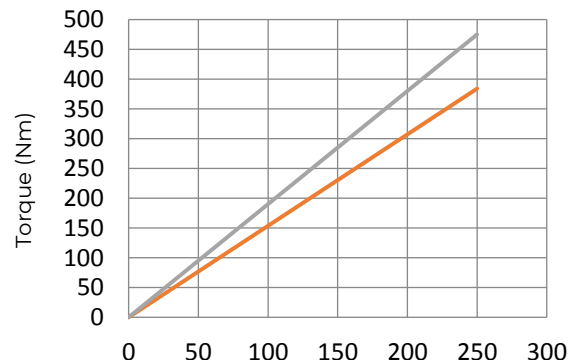
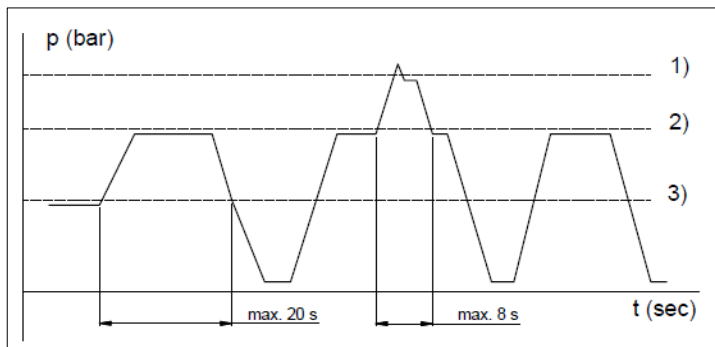
Type	85cc	105cc
1 Seal kit (parts : 2, 3, 4, 5, 6, 7 & 8)	02460015	02460015
1 Thrust plate	02259408	02259408
2 O-ring	see seal kit	see seal kit
3 Seal thrust plate	see seal kit	see seal kit
4 Back-up ring thrust plate	see seal kit	see seal kit
5 Shaft seal	see seal kit	see seal kit
6 Shaft seal	see seal kit	see seal kit
7 Shaft seal	see seal kit	see seal kit
8 Nilos ring	see seal kit	see seal kit
9 Leak indicator kit	02470180	02470180



* Leak indicator included with the pump

Pressure definition

Torque - Pressure characteristics



- p 1) Peak pressure
- p 2) Intermittent pressure
e.g. tipping applications
- p 3) Continuous Pressure

* PTO output torque must be higher than the torque required by the pump

Mounting options

